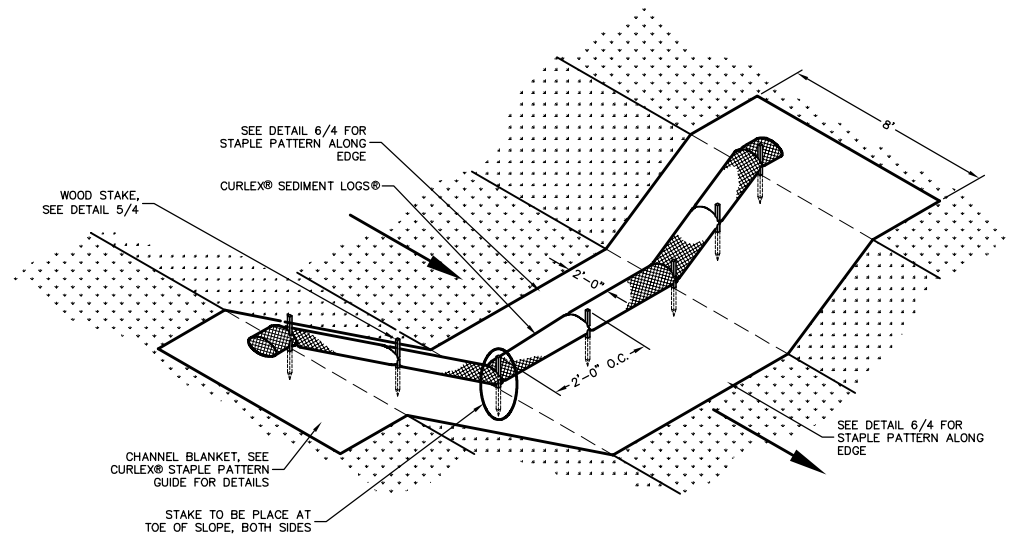


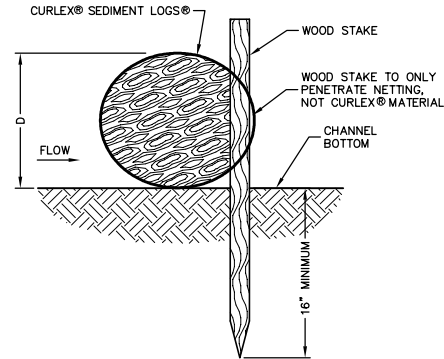
**CURLEX® SEDIMENT LOGS®
DETAIL (NO BLANKET)**
NO SCALE

1
4



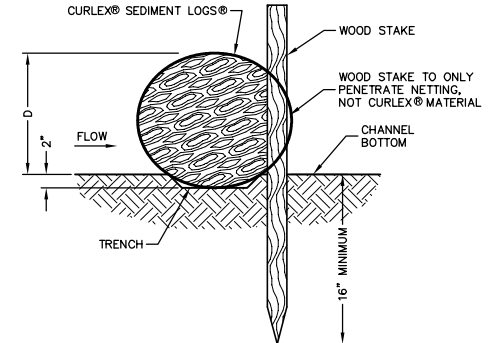
**CURLEX® SEDIMENT LOGS®
DETAIL (WITH BLANKET)**
NO SCALE

2
4



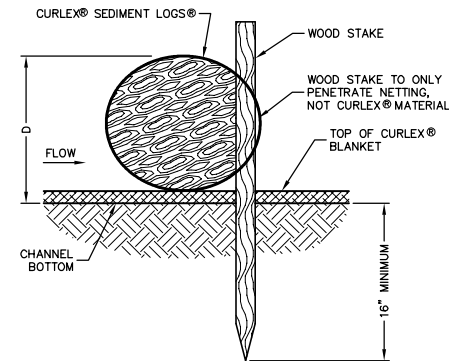
**STAKE DETAILS
(NO TRENCH)**
NO SCALE

3
4



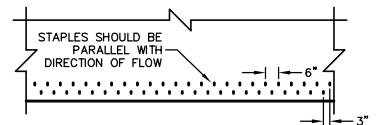
**STAKE DETAIL
(WITH TRENCH)**
NO SCALE

4
4



**STAKE DETAILS
(NO TRENCH)**
NO SCALE

5
4



**CHANNEL TERMINATION
PLAN**
NO SCALE

6
4

NOTE: TRENCH OPTION IS MOST APPLICABLE IN LOOSE, UNCONSOLIDATED SOILS.

1 1/8" X 1 1/8" X 30" WOODEN STAKES ARE RECOMMENDED FOR 6", 9", AND 12" SEDIMENT LOGS®.

1 1/8" X 1 1/8" X 48" WOODEN STAKES ARE RECOMMENDED FOR 20" SEDIMENT LOGS®.

$$\left[\frac{\text{DISTANCE BETWEEN CHANNEL BOTTOM AND TOP OF INSTALLED CURLEX® SEDIMENT LOGS® (D)(ft)}{\text{CHANNEL GRADIENT (\%)}} \right] \times 100 = \text{CURLEX® SEDIMENT LOGS® SPACING (ft)}$$

**RECOMMENDED PLACEMENT INTERVAL
BETWEEN CURLEX® SEDIMENT LOGS®**

American
Excelsior
Company®
Earth Science Division

NO.	BY	DATE	REVISIONS	PROJECT MANAGER
				CHECKED BY:
				APPROVED BY:

AMERICAN EXCELSIOR COMPANY
ARLINGTON, TEXAS

SHEET DESCRIPTION
CURLEX® SEDIMENT LOGS®
DITCH/CHANNEL APPLICATION DETAIL

DATE 1/7/03	DRAWN BY
SCALE NONE	PROJECT NO.
	SHEET NO. 4